

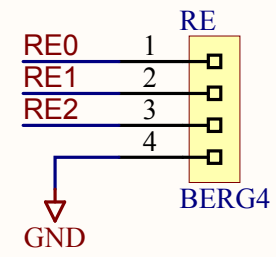
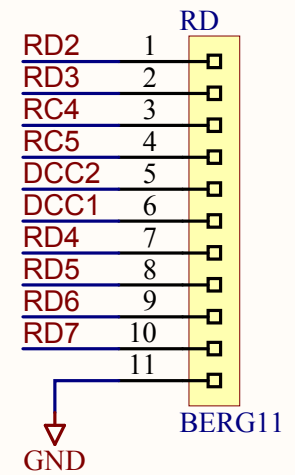
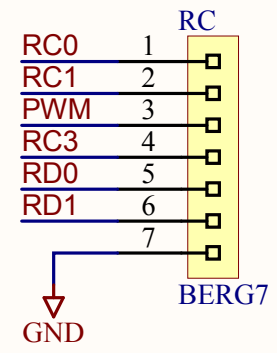
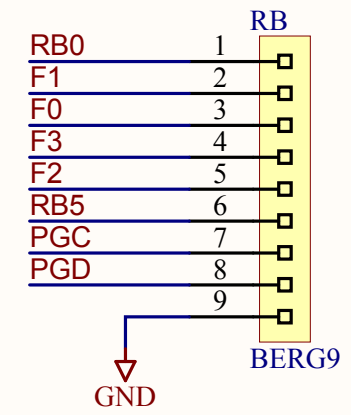
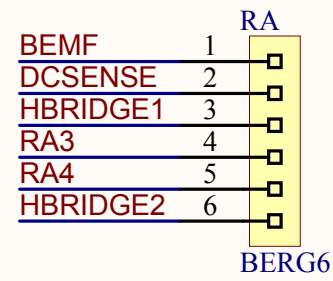
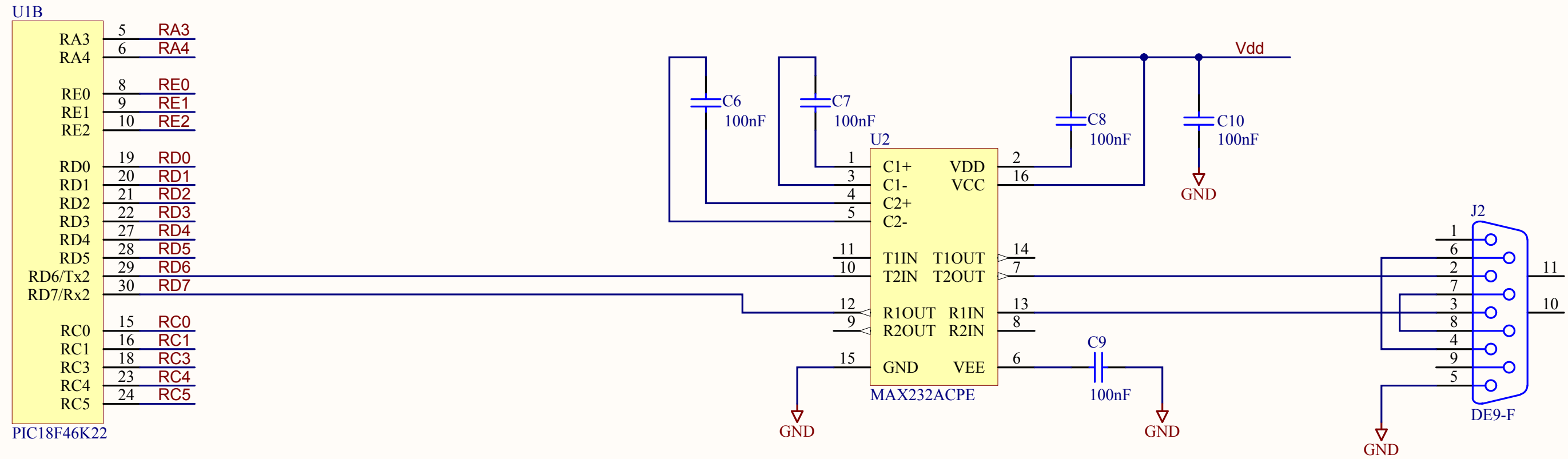
Function Outputs

Track Voltage Sensing

Brownout detect

Power Loss Detect

Title		
Size	Number	Revision
A3		
Date:	8/25/2012	Sheet of
File:	G:\PROJECTS\...\DevBoard DCCBaseDec	Doc



Title		
Size	Number	Revision
A4		
Date:	8/25/2012	Sheet of
File:	G:\PROJECTS\DCC\DevBoard Extras.SchDown By:	