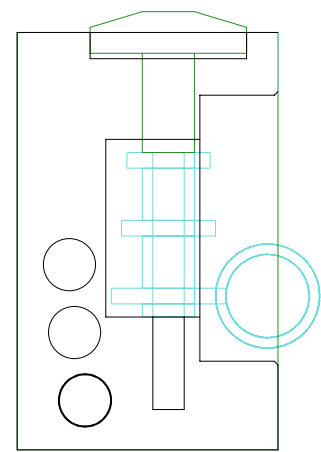
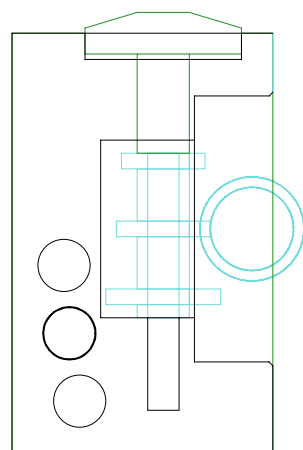


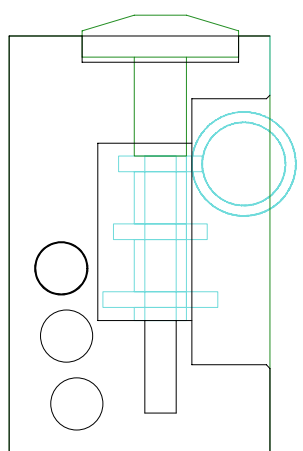
# Thread Dial Chaser for Metric Lathe (3mm leadscrew)



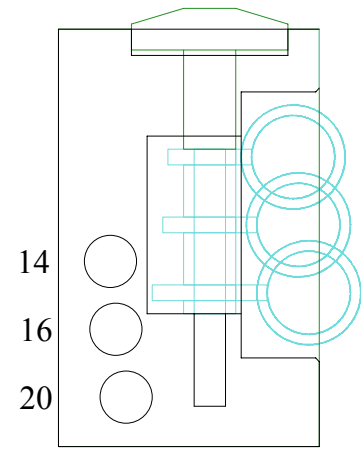
Mesh 20T



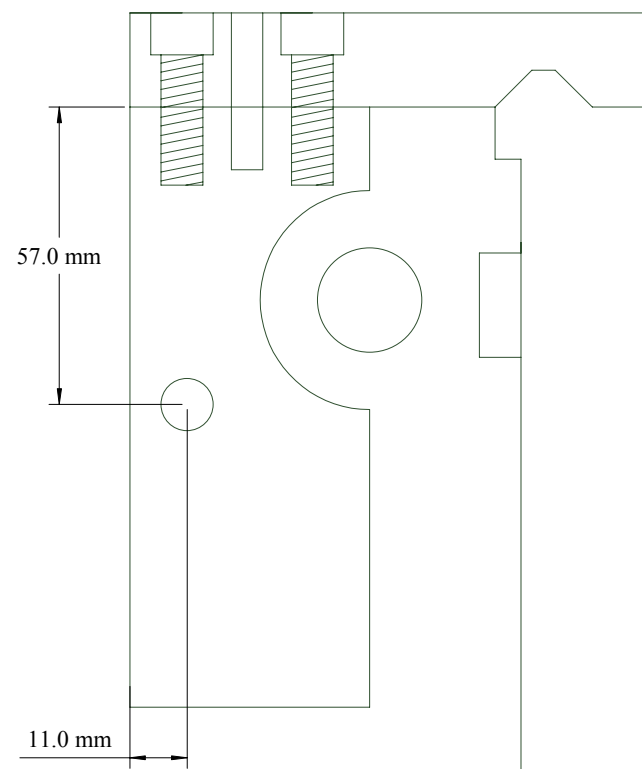
Mesh 16T



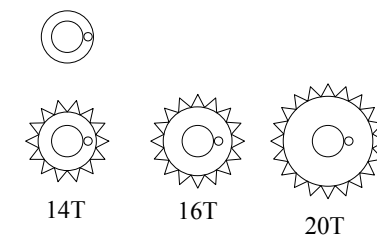
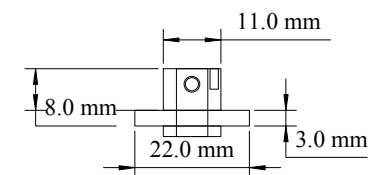
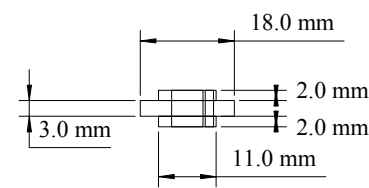
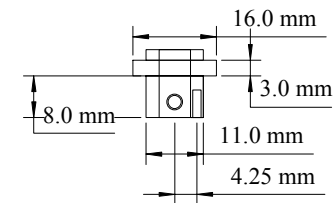
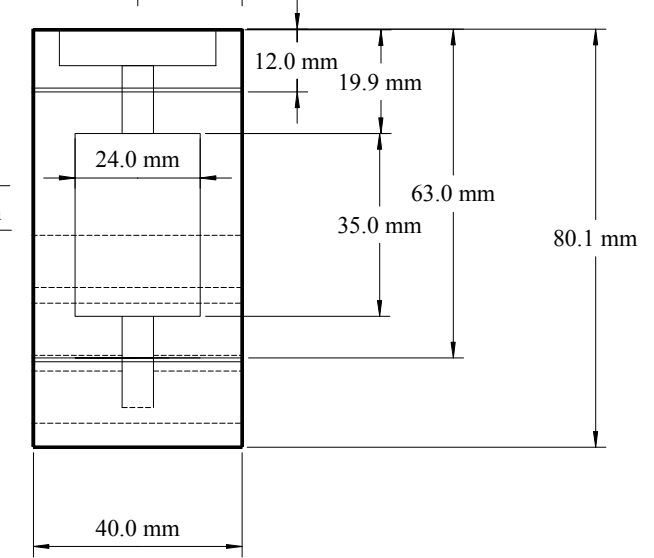
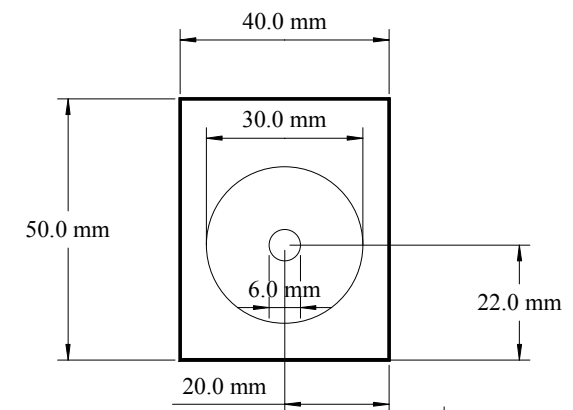
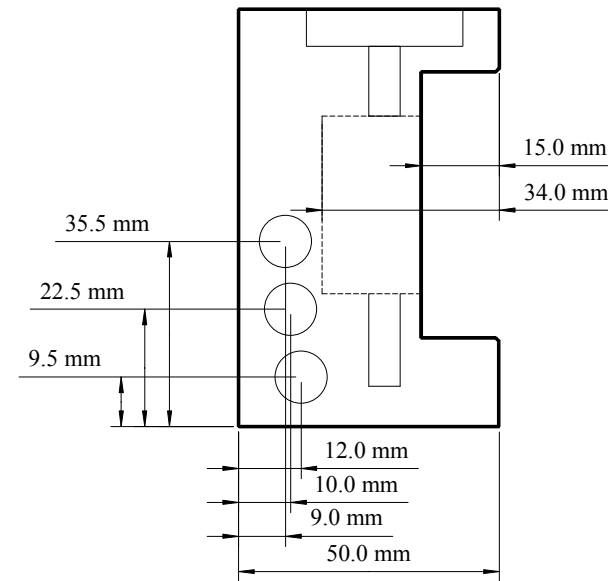
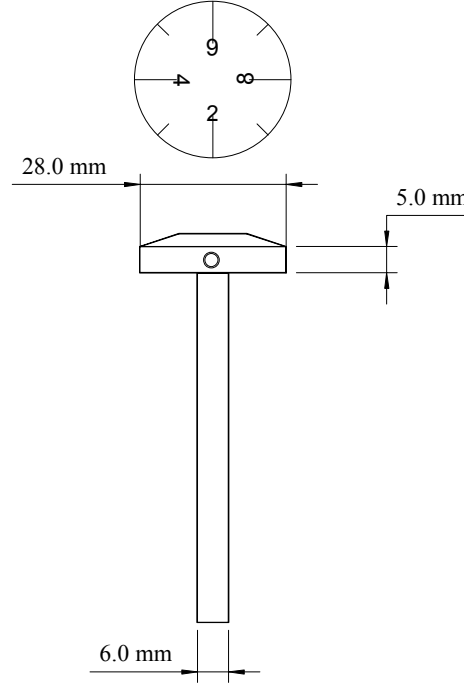
Mesh 14T



14  
16  
20



Saddle Side View



Gears cut using Module 1 gear cutter